

# TECHNICAL DATASHEET



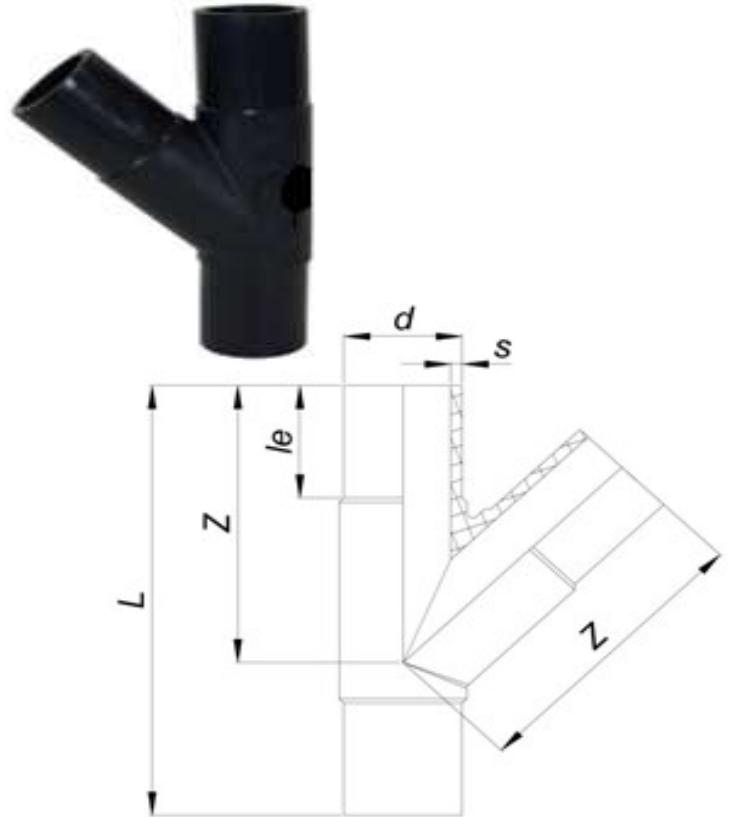
## WYE TEE 45°

03 Update - 04/2024

### TECHNICAL DATA

Article No	001 115 0045 0225
d (mm)	225
L (mm)	692
le (mm)	125
Z (mm)	475
s (mm)	13,4
Weight (Kg)	11,860
Box Quantity (pcs)	10
Box Dimension (pcs)	80x120x100

### INJECTION MOULDED



### IDENTIFICATION OF PRODUCT

D(mm)	225
SDR	17
RAW METARIAL	PE 100
PRESSURE CLASS	10 Bar Water 6 Bar Gas
TRADEMARK	NTG
EXECUTION	Injection Moulded
STANDARD	EN 12201-3 EN 1555-3 AS /NZS 4129

### SPECIFICATION

Long Spigot

Tolerance on diameters and thickness according to the standards. The other dimensions are specialized. Tolerance  $\pm 5\%$ . NTG PLASTIK reserves all the right to change any information without giving prior notice. The production, distribution and utilization of this document without explicit authorization is prohibited.